



# morphy richards

**3 Year  
Guarantee\***

\*Upon registering your product at [morphyrichards.co.uk](http://morphyrichards.co.uk)

## BREW & BLEND Electric Coffee Grinder



Model No.

**210252**

# User Manual

Please read and keep these instructions for future use





## HEALTH AND SAFETY

The use of any electrical appliance requires the following common sense safety rules.

Please read these instructions carefully before using the product.

- This appliance can be used by persons with reduced physical, sensory or mental capabilities or lack of experience and knowledge if they have been given supervision or instruction concerning use of the appliance in a safe way and understand the hazards involved.
- This appliance shall not be used by children.
- Children shall not play with the appliance.
- Keep the appliance and cord out of the reach of children.
- **CAUTION:** Ensure that the coffee grinder is switched off before removing it from the stand or approaching parts that move while in use.





## HEALTH AND SAFETY

- Avoid touching moving parts. Keep hands, hair and clothing and utensils away from the coffee grinder blades during operation to prevent personal injury and/or damage to the appliance.
- Do not blend for periods longer than recommended.
- Always disconnect the coffee grinder from the supply if it is left unattended and before assembling, disassembling or cleaning.
- Care shall be taken when handling the sharp cutting blades, emptying the coffee grinder and during cleaning.
- This appliance is intended for household use only. It is not suitable for use in staff kitchen areas in shops, offices and other working environments.
- This appliance is not intended to be operated on an extension cable or by means of an external timer or a separate remote-control system.





## HEALTH AND SAFETY

### LOCATION

- Do not use the outdoors or in a bathroom
- Always locate your appliance away from the edge of the worktop.
- Do not place the coffee grinder on a highly polished wooden surface as damage may occur to the surface.

### MAINS CABLE

- Do not let the mains cable hang over the edge of the worktop where a child could reach it.
- Do not let the lead run across an open surface e.g. between a low socket and a table.
- Do not let the cable run across a cooker or other hot area which might damage the cable.
- The mains cable should reach from the socket to the power base without straining the connections.
- The power cord cannot be replaced.

### PRODUCT SPECIFIC SAFETY

- Do not use attempt to operate the coffee grinder without the lid in place.
- Do not overfill the grinding bowl, this may cause damage to the product and will invalidate the guarantee.
- Do not remove the lid until the blade in the grinding bowl has completely stopped.

### OTHER SAFETY CONSIDERATIONS

- Do not use the appliance for any other use other than its intended purpose.
- The use appliances or tools not recommended or sold by Morphy Richards may cause fire, electric shock or injury.
- **WARNING:** Misuse of this appliance could cause personal injury.



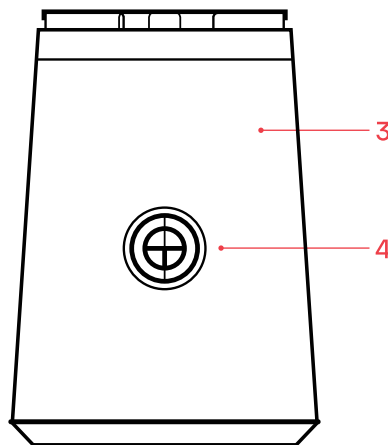
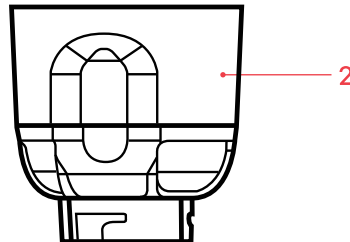
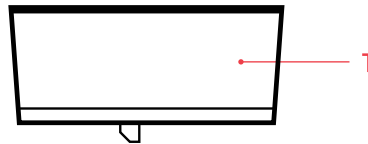


## ELECTRICAL REQUIREMENTS

Check that the voltage on the rating plate of your appliance corresponds with your house electricity supply which must be AC. (Alternating Current). Should the fuse in the mains plug require changing, replace it with a fuse of the same rating as originally fitted.

**WARNING: This appliance must be earthed.**

## PRODUCT OVERVIEW



1. Lid
2. Grinding Bowl
3. Grinder Motor Unit
4. On/Off Button

morphy richards

5

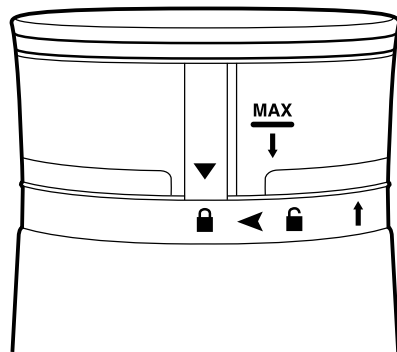
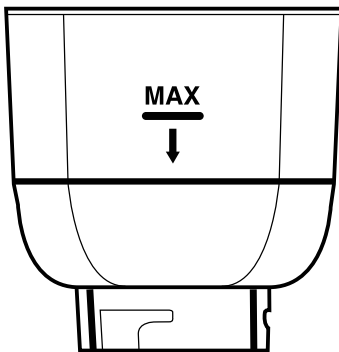




## BEFORE FIRST USE

- Remove all packaging materials.
- Remove any stickers or labels from the appliance. Do not remove the rating label on the bottom of the appliance.

## USING YOUR COFFEE GRINDER



1. Stand the Coffee Grinder on a flat, level surface.
2. Place the Grinding Bowl into the Grinder Motor Unit and twist clockwise.
3. Pour coffee beans into the Grinding Bowl, the quantity **MUST NOT** exceed 60g or MAX level for other ingredients (Fig1).
4. Attach the lid onto the Grinder ensuring the arrow on the lid is aligned with the Unlock Symbol on the grinder, twist clockwise until the arrow is aligned with the Lock Symbol (Fig2). The Grinder will not operate unless the lid is fitted securely.
5. Plug into the power socket.
6. Press and hold the On/Off button, the appliance will operate while the button is depressed and view the consistency of the coffee grounds through the lid.
7. Release the On/Off button to stop the grinder operating.





## USING YOUR COFFEE GRINDER

- Repeat steps 6 to 7 until the desired consistence of coffee grounds are obtained.
- Unplug from the power socket.
- Unlock the lid and remove. Lift out the Grinding Bowl and pour out the coffee grounds.

**WARNING: Before removing the Lid to check consistency of or to pour out the coffee grounds the blades must have come to a complete stop.**

Note: Do not operate this appliance continuously for more than 45 seconds. Allow to cool for 1 minute between 2 consecutive cycles.

## GRINDING TIPS & GUIDELINES

- COARSE grind is generally used for percolators and coffee urns. MEDIUM grind for drip coffee makers and steam-type espresso machines. A FINE grind is used for espresso machines with an electric pump.
- Vary the grinding times to suit your taste and type of beans you grind.
- For the freshest, most flavourful coffee, grind only enough for the pot you are making. Coffee beans keep up to 2 months in the freezer in an airtight container. Coffee grounds left in your grinder can become stale and affect the flavour of newly ground coffee. Be sure to clean grinding bowl, blades and lid after each use.
- This grinder can only grind dry, brittle foods.
- It will not grind anything moist, extremely hard, or gummy such as whole ginger, chocolate, sesame seeds or oily spices such as cinnamon, cloves or nutmeg. Do not grind peanuts or grains such as wheat, rice, barley or dried corn.
- Never use it to chop ice cubes.

Note: Failure to comply with guidelines 5 and 6 will invalidate your guarantee.



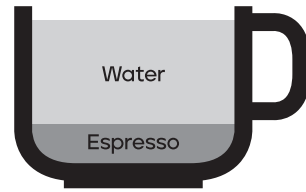


## COFFEE PREPARATION GUIDE

Your coffee grinder helps you to make a variety of coffee drinks helping you to create the coffee shop experience in your own home. The diagrams on this page are a simple guide showing you the percentage of ingredients that make up each of the drink types.



Espresso



Americano



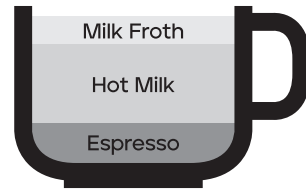
Flat White



Espresso Macchiato



Espresso con Panna



Caffé Latte



Cappuccino



Caffé Mocha







## CLEANING AND MAINTENANCE

**WARNING: Always unplug the appliance from the mains socket before cleaning and maintenance.**

- Wipe the Grinder Motor Unit with a damp cloth and dry thoroughly. Use a soft cleaning brush to remove any excess grinds
- Wash the Lid with water in warm soapy water. Rinse thoroughly and dry.
- Wipe the grinding bowl and blades with a lint-free cloth, care should be taken around the blades.

Note: The Lid and Grinding Bowl are not dishwasher safe.

**WARNING: Never immerse the Grinder motor unit or grinding bowl into water. Wipe the Grinder motor unit with a damp cloth and use a soft cleaning brush to remove any excess grinds. Handle with care, the blades are sharp.**

## PRODUCT RECYCLING



For electrical products sold within the European Community, at the end of the electrical products useful life, it should not be disposed of with household waste.

Please recycle where facilities exist.

Check with your Local Authority or retailer for recycling advice in your country.

## CONTACT US

If you are having a problem with your appliance, please contact our Helpline, as we are more likely to be able to help than the store you purchased the item from. Please have the product name, model number and serial number to hand when you contact us to help us deal with your enquiry quicker.

email:  
[hello@morphyrichards.co.uk](mailto:hello@morphyrichards.co.uk)

[www.morphyrichards.co.uk](http://www.morphyrichards.co.uk)





## REGISTERING YOUR 3 YEAR GUARANTEE

Your standard 2 year guarantee is extended for an additional 1 year when you register the product within 28 days of purchase with Morphy Richards. If you do not register the product with Morphy Richards within 28 days, your product is guaranteed for 2 years.



To validate your 3 year guarantee, scan the QR code or register online at [www.morphyrichards.co.uk](http://www.morphyrichards.co.uk)

N.B. Each qualifying product needs to be registered with Morphy Richards individually. Please note that the 2 year guarantee is only available in the UK. Please refer to the 2 year guarantee for more information.

## YOUR 2 YEAR GUARANTEE

It is important to retain the retailer's receipt as proof of purchase. Staple your receipt to the back cover for future reference.

Please quote the following information if the product develops a fault. These numbers can be found on the base of the product.

**Model no.**

**Serial no.**

All Morphy Richards products are individually tested before leaving the factory. In the unlikely event of any appliance proving to be faulty within 28 days of purchase, it should be returned to the place of purchase for it to be replaced. If the fault develops after 28 days and within 12 months of original purchase, you should contact the Helpline quoting Model number and Serial number on the product, or write to Morphy Richards at the address shown. You may be asked to return a copy of proof of purchase.

Subject to the exclusions set out below (see Exclusions), the faulty appliance will then be repaired or replaced as appropriate and dispatched usually within 7 working days of receipt.

If, for any reason, this item is replaced or repaired during the 2 year





## REGISTERING YOUR 3 YEAR GUARANTEE

guarantee period, the guarantee on the new item will be calculated from the original purchase date. Therefore it is vital to retain your original till receipt or invoice to indicate the date of initial purchase.

To qualify for the 2 year guarantee, the appliance must have been used according to the instructions supplied.

The appliance is intended for domestic use only. Misuse or use for commercial or any other purpose will render the guarantee invalid.

### Exclusions

Morphy Richards shall not be liable to replace or repair the goods under the terms of the guarantee where:

1. The fault has been caused or is attributable to accidental use, misuse, negligent use or used contrary to the manufacturer's recommendations or where the fault has been caused by power surges or damage caused in transit.
2. The appliance has been used on a voltage supply other than that stamped on the products.
3. Repairs have been attempted by persons other than our service staff (or authorised dealer).
4. The appliance has been used for hire purposes or non domestic use.
5. The appliance is second hand or refurbished.
6. Morphy Richards reserves the right not to carry out any type of servicing under the guarantee at its discretion.

This guarantee does not confer any rights other than those expressly set out above and does not cover any claims for consequential loss or damage. This guarantee is offered as an additional benefit and does not affect your statutory rights as a consumer. Morphy Richards products are intended for household use only. See usage limitations within the location safety instructions.

### Disclaimer

Morphy Richards has a policy of continuous improvement in product quality and design. The company, therefore reserves the right to change the specification of its models at any time.





CG210252MUK Rev1

# morphy richards



@morphyrichardsuk #loveyourmorphy

[morphyrichards.co.uk](http://morphyrichards.co.uk)

**Morphy Richards**

9 Cabot Lane, Poole, Dorset, BH17 7BY, UK

